

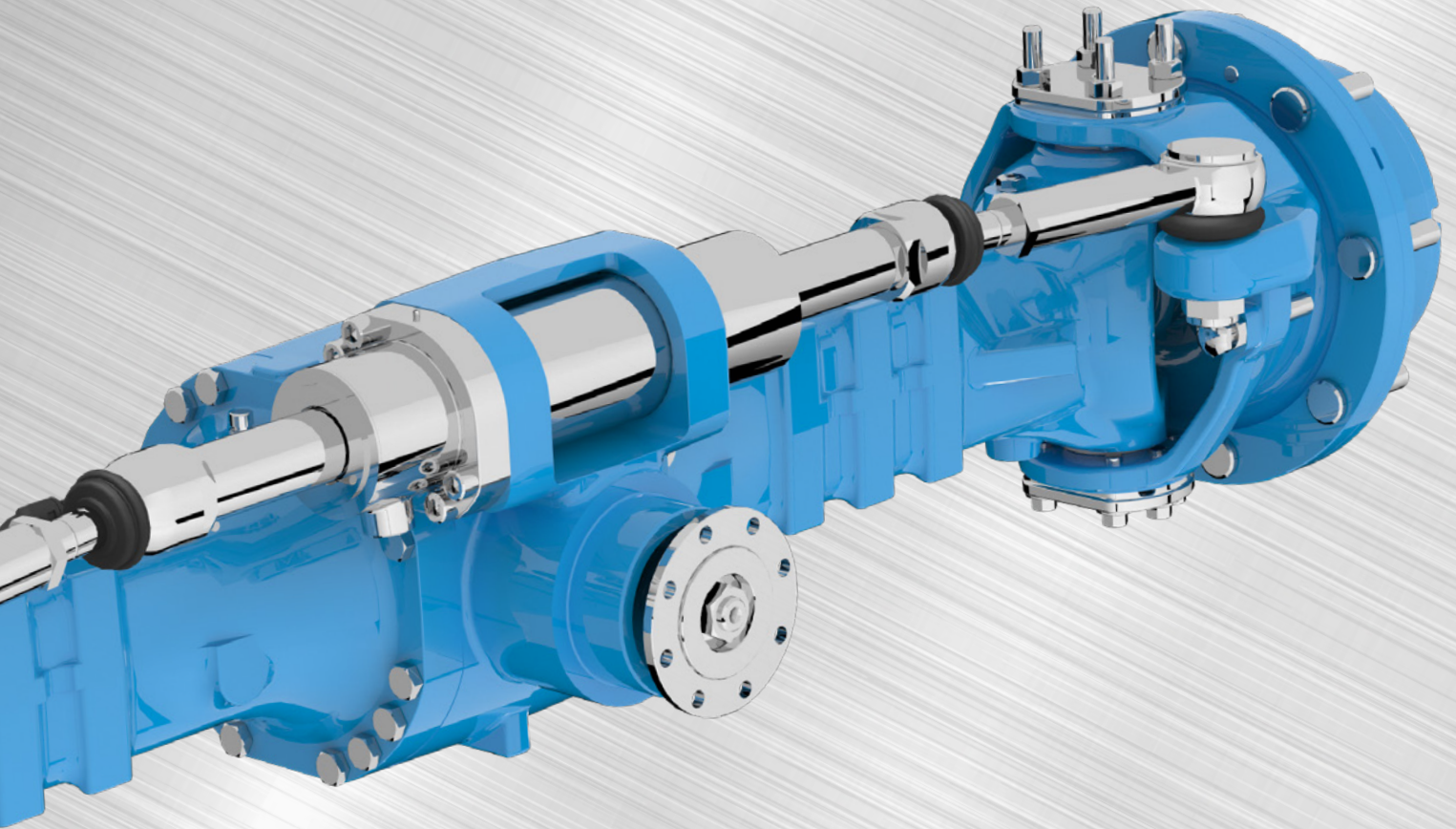


SPICER[®]

Drivetrain Systems

Spicer[®] 211

Planetary Steering Axle



Engineered for a **variety of off-highway applications** based on a **proven modular design approach**.

Spicer® 211

Planetary Steering Axle

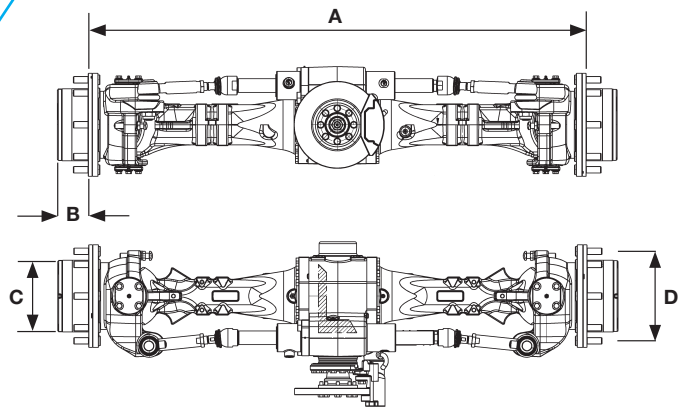
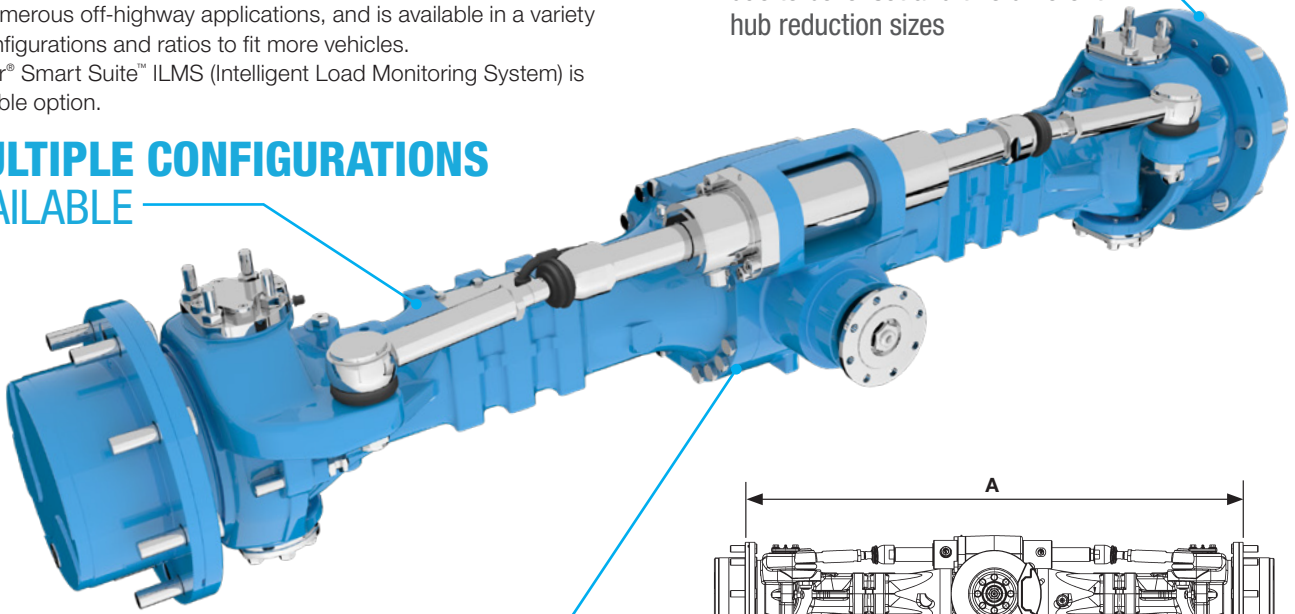
The Spicer® 211 offers easy, low-cost service, and maintenance for numerous off-highway applications, and is available in a variety of configurations and ratios to fit more vehicles. Spicer® Smart Suite™ ILMS (Intelligent Load Monitoring System) is available option.

MULTIPLE CONFIGURATIONS AVAILABLE

SUITABLE FOR CONVENTIONAL AND ELECTRIC DRIVELINE

WIDE RANGE OF RATIOS AVAILABLE

due to bevel set and two different hub reduction sizes



Technical Data	
Planetary Reduction Ratio	1:4.235, 1:6.000
Bevel Set Ratios	1:1.821, 1:2.040, 1:2.133, 1:2.285, 1:2.461, 1:2.571, 1:2.818, 1:3.222, 1:3.444, 1:3.500, 1:3.625, 1:3.875, 1:4.125, 1:4.375
Maximum Output Torque (Nm)	14000 with 1:4.235; 20000 with 1:6.000
Load Capacity (daN); Static	11000
Load Capacity (daN); Dynamic	5500

Installation Dimensions (mm)	
A – Flange to Flange	1010, 1200, 1270, 1400, 1530, 1660, 1790 or 1920
B – Planetary Hub Length	95 or 100
C – Wheel Pilot Diameter	160 or 220
D – Wheel Bolt Circle Diameter	205 or 275

Design Features	
Axle Mounting	Rigid mounting on axle housing, trunnion pivot mounting, TP clevis
Input Flange Options	DIN 90/100/120, end yoke 1410, Spicer® Wing® Series 4C/5C, Dana 1350/1410, Dana 1480/1550, SAE 1305/1310/1315
Double Reduction Planetary Wheel End	Bevel set in center section and final hub reduction at wheel
Service Brakes	4-disc single brake (wet discs brake integrated), 6-disc single brake (wet discs brake integrated), 6-disc dual brake (wet discs brake integrated), dry disc caliper Ø 266 mm
Differential Options	Open, limited slip 45%, 100% mechanical lock hydraulic applied, 100% clutch lock hydraulic applied
Dropbox Options	305, 311, 357, 367, 603
Maximum Steering Angle	55°

Dana.com/oh/contact

Application Policy

Capacity ratings, features, and specifications vary depending upon the model and type of service. Application approvals must be obtained from Dana; contact your representative for application approval. We reserve the right to change or modify our product specifications, configurations, or dimensions at any time without notice.



SPICER®

Drivetrain Systems