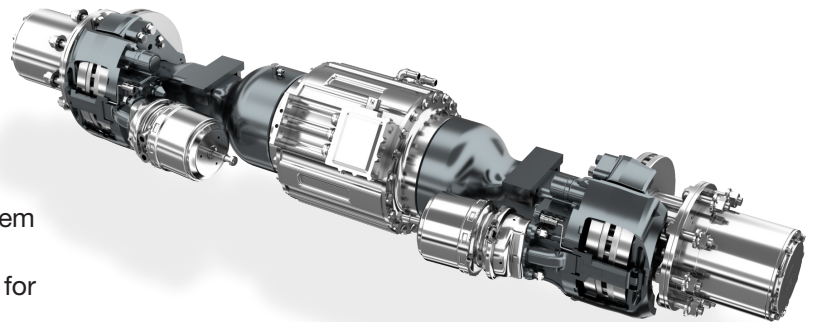


Spicer® Electrified™ e-Drive Axle

eS13.0Xr

Integrated and scalable designs that offer cost advantages to central motor architectures currently on the market.



Technical Details

- Integrated e-Axle replaces centralized motor / driveshaft architecture for optimal driveline system
- Traction drive motors ranging from 80-240 kW for maximum application coverage

Product Benefits

- Weight reduction
- Reduction in energy consumption
- Improved vehicle packaging

Market Driver

- Chinese zero-emissions regulations
- EU, US, and India city emission free zones to follow

Ideal for Medium-Duty Trucks and Buses



e-Drive Systems