

Spicer® Steer Axles



SPICER®

Drivetrain Products

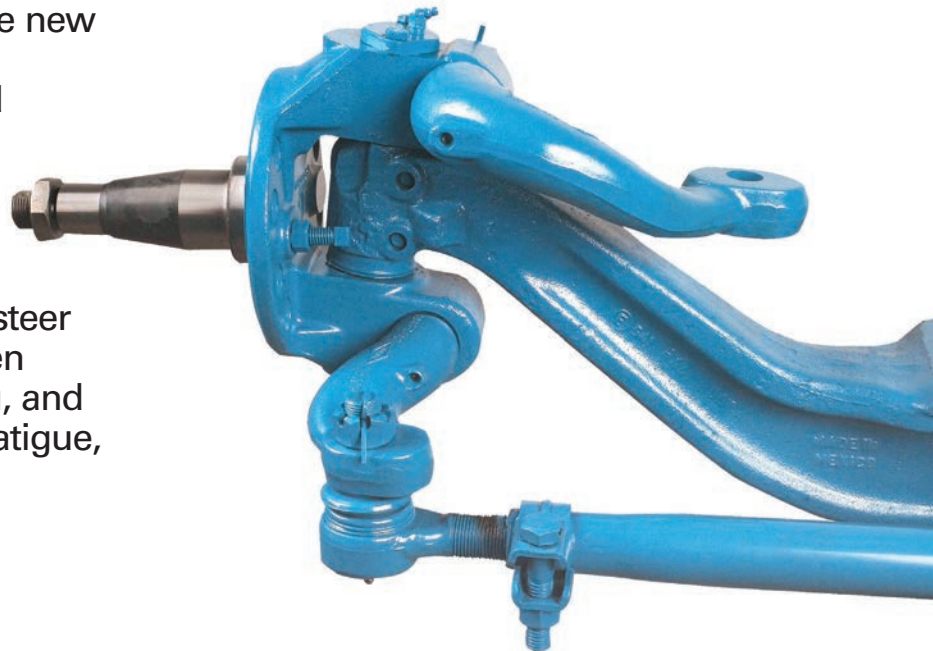
D-600N D-700F D-800W
 D-700N D-800F D-850W
 D-850F

6,000 lbs. [2,722 kg] – 8,500 lbs. [3,856 kg]

Medium-Duty Steer Axle Innovations Deliver High Performance in a New Class of Vehicle Applications

Patented technology features of the new Spicer® D-600N and D-700N steer axles assure minimum weight and maximum maneuverability for expanding Class 4 and 5 vehicle applications.

The popular Dana® Spicer® D-800F and D-850F remain as the Class 6 steer axles of choice by delivering proven reliability, superior vehicle steering, and maneuverability to reduce driver fatigue, enhance safety and improve vehicle productivity.

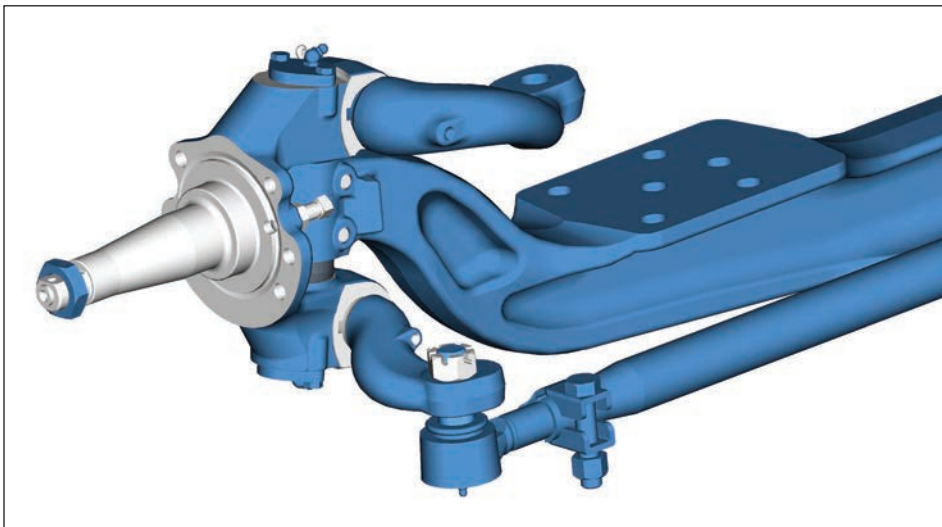


Steer axle model D-800F shown

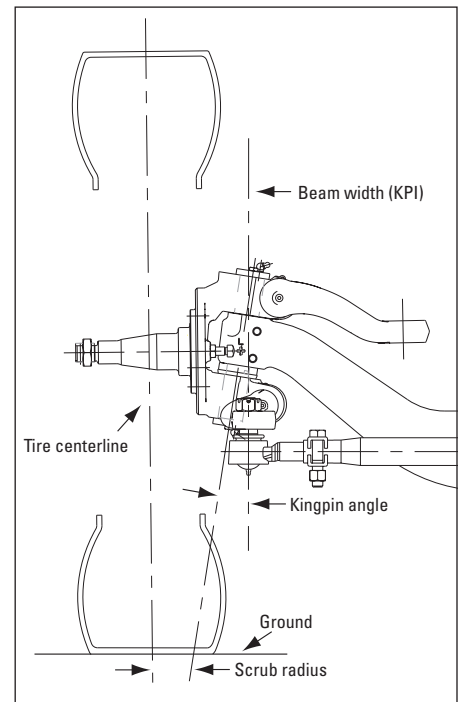
FEATURES	BENEFITS
9° kingpin angle	Improved steering returnability from high turn angles
Small scrub radius	Improved steering stability
Two-drawkey kingpin retention* – Same-side location with spring washer tensioning and rigid kingpin boss *	Improved durability and alignment capability
Power Rib beam design (D-600N & D-700N)*	Optimized for light weight and improved handling
Tie Rod End Sealing – Improved design with sealed boot and new grease purge valve *	Improved durability and reduced maintenance
Engineered powdered metal kingpin cap design	Seals bushing cavity and ensures proper re-lubrication
Optional beam width (KPI) with D-800W or D-850W	Increased maneuverability
Bolted-on taper fit steer and tie rod arms	Vehicle design and modification flexibility
Universal brake mounting	Adapts hydraulic or air brakes

* Patented Feature

Spicer® Steer Axles



Steer axle model D-700N shown

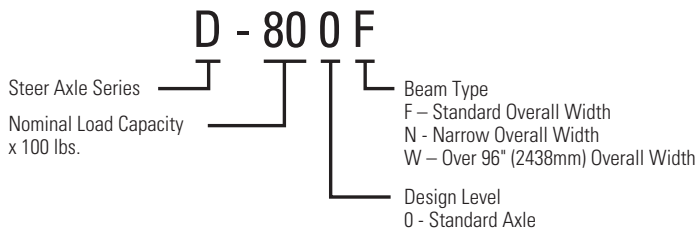


Key steering geometry features

Specifications:

MODEL	GAWR	KINGPIN INTERSECTION	PAD DROP	CENTER DROP	AXLE WEIGHT	WHEEL-END EQUIP. (BRAKE & HUB)
D-600N	6,000 lbs. [2,722 kg]	62.7 in. [1593 mm]	3.74 in. [95 mm]	1.0 in. [25.4 mm]	223 lbs. [101 kg]	OEM Proprietary
D-700N	7,000 lbs. [3,175 kg]	62.7 in. [1593 mm]	3.74 in. [95 mm]	1.0 in. [25.4 mm]	223 lbs. [101 kg]	OEM Proprietary
D-700F	7,000 lbs. [3,175 kg]	71 in. [1,803 mm]	3.5 in. [89 mm]	1.0 in. [25.4 mm]	268 lbs. [122 kg]	Industry Standard
D-800F	8,000 lbs. [3,629 kg]	71 in. [1,803 mm]	3.5 in. [89 mm]	1.0 in. [25.4 mm]	268 lbs. [122 kg]	Industry Standard
D-800W	8,000 lbs. [3,629 kg]	72 in. [1,829 mm]	3.5 in. [89 mm]	1.0 in. [25.4 mm]	268 lbs. [122 kg]	Industry Standard
D-850F	8,500 lbs. [3,856 kg]	71 in. [1,803 mm]	3.5 in. [89 mm]	1.0 in. [25.4 mm]	268 lbs. [122 kg]	Industry Standard
D-850W	8,500 lbs. [3,856 kg]	72 in. [1,829 mm]	3.5 in. [89 mm]	1.0 in. [25.4 mm]	268 lbs. [122 kg]	Industry Standard

Model Nomenclature:



For spec'ing or service assistance, call 1-877-777-5360 or visit our website at www.dana.com

Dana Commercial Vehicle Products Group
3939 Technology Drive
Maumee, Ohio, USA 43537

www.dana.com



SPICER®

Drivetrain Products