

# Specifications 025S, 035S and 050S

Portal Axles

Carry Capacity: 3100 Lbs., 3800 and 4800 Lbs.  
1410 Kg., 1730 Kg. and 2177Kg.



***SPICER OFF-HIGHWAY PRODUCTS***



The 025S, 035S AND 050S portal axles are designed for compact utility tractors that require front wheel drive capability, high turn angles and dependable performance.

### WHEEL MOUNTING FLANGE CONFIGURATION

Description	Dimension	025S		035S		050S	
		In.	MM	In.	MM	In.	MM
Bolt Circle Diameter	L	6.00	152.40	6.00	152.40	6.00	152.40
Pilot Diameter	M	4.61	117.0	4.61	117.00	4.61	117.00
Pilot Diameter Length	R	0.54	13.70	0.54	13.70	0.54	13.70
Portal Drop Distance	N	4.45	113.10	4.46	113.20	4.46	113.30
Camber	O	2°		2°		0.5°	
Number of Threaded Holes		6		6		6	
Threaded Hole Size	V	M14 X 1.50		M14 X 1.50		M14 X 1.50	

### CONTINUOUS DUTY RATING

Description	025S	035S	050S
Track Width (Max)	50.20 In., 1275MM	55.10 In., 1400 MM	53.00 In., 1346 MM
Beam Load	3100 Lbs., 1410 Kg.	3800 Lbs., 1730 Kg.	4800 Lbs., 2177 Kg.
Output Torque (Total)	1200 Ft.-Lbs., 1627 Nm.	1650 Ft.-Lbs., 2237 Nm.	2500 Ft.-Lbs., 3390 Nm.

### INSTALLATION DIMENSIONS

Flange to Flange Dimension	025S		035S		050S	
	In.	MM	In.	MM	In.	MM
A	48.84	1240	54.48	1384	54.48	1384
B	5.47	138.90	5.47	138.90	5.47	138.90
C	2.05	52.00	2.05	52.00	2.05	52.00
D	4.92	125.00	4.92	125.00	4.92	125.00
E	1.65	42.00	1.65	42.00	1.65	42.00
F	1.44	36.50	1.44	36.50	1.44	36.50
G	0.20	5.00	1.44	36.50*	1.44	36.50*
H	9.36	237.70	9.60	243.70	9.60	243.70
J	9.528	242.00	9.528	242.00	9.528	242.00
S	4.10	104.00	4.30	109.00	4.50	114.00
U	5.10	129.00	5.10	129.00	7.12	181.00
Mounting Configuration	Trunnion Mount		Trunnion Mount		Trunnion Mount	

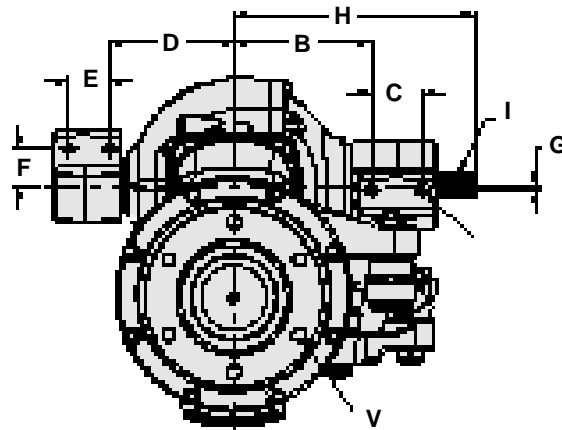
\*Rear trunnion mounting holes are ABOVE pinion centerline.

#### DIFFERENTIAL

Standard, Open

#### BRAKES

None Available



### STEERING

Dimension	025S & 035S	050S
P	60° Max. Inside Turn Angle	58° Max, Inside Turn Angle
Q (Cylinder Port Data)	M12 X 1.5 (SAE 2244) Female Port	

### AXLE RATIOS

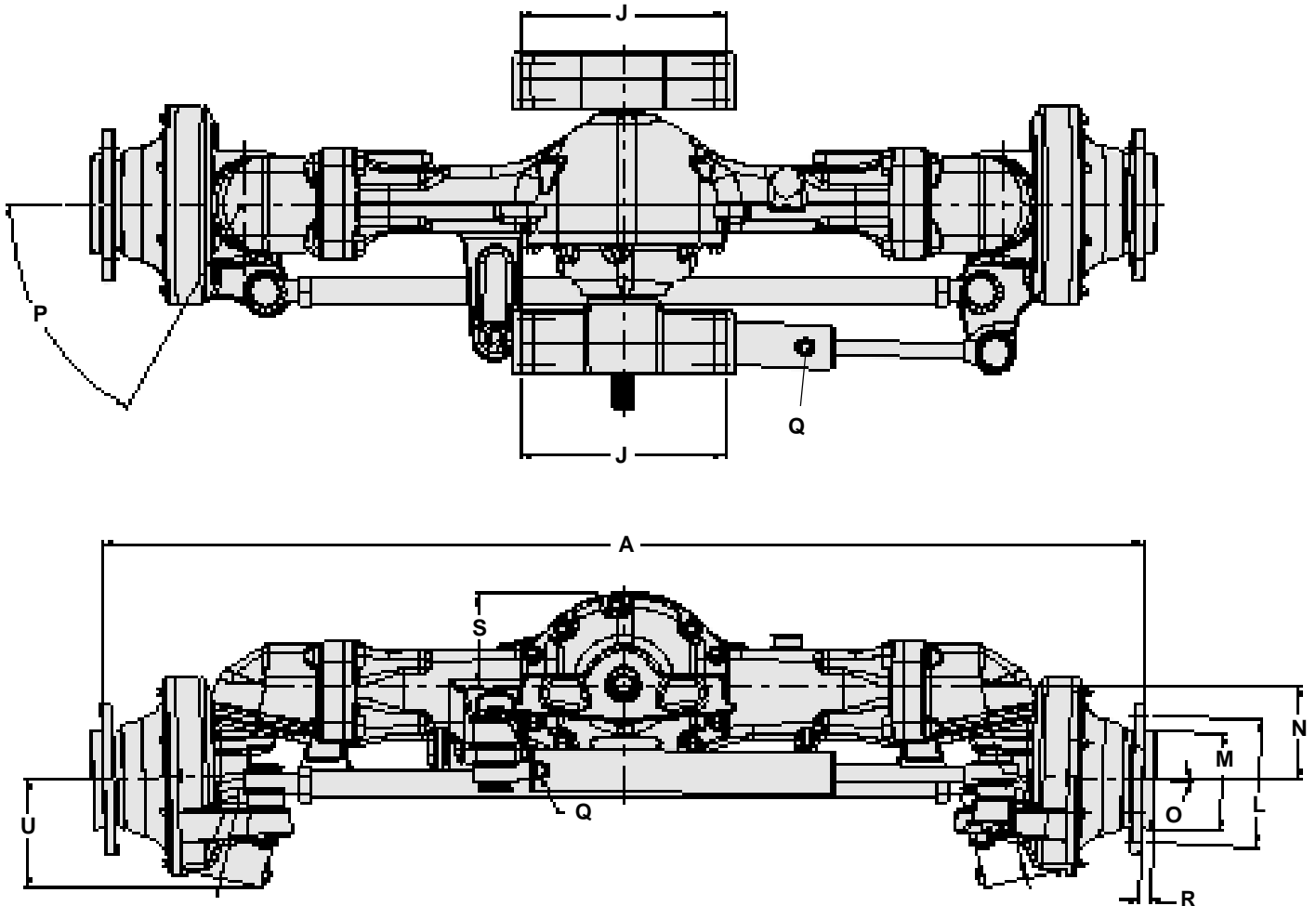
Description	025S	035S	050S
Ring & Pinion	5.00:1	3.73:1	3.73:1
Wheel End	4.275:1	4.275:1	4.263:1
Overall	21.38:1	15.94:1	15.90:1

### PINION SPLINE DATA

I 025S	I 035S	I 050S
17T, 30° P.A.	15T, 30° P.A.	15T, 30° P.A.
24/48 Pitch	16/32 Pitch	16/32 Pitch
0.7083 Pitch Dia.	0.9375 Pitch Dia.	0.9375 Pitch Dia.
0.95 In., 24.00 MM	1.18 In., 50.00 MM	1.18 In., 50.00 MM
Full Spline Length	Full Spline Length	Full Spline Length

### AXLE WEIGHTS & OIL CAPACITY

Description	025S		035S		050S	
	Lbs.	,Kg	.Lbs.	Kg.	Lbs.	Kg.
Axle Weight (including Trunnions)	310	141	350	159	440	200
Axle Oil Capacity	1.18 Gal (4.5 Liters)		1.32 Gal. (5.0 Liters)		2.25 Gal. (8.5 Liters)	



**APPLICATION POLICY**

Capability ratings, features and specifications vary depending upon the model and type of service. Application approvals must be obtained from Spicer Off-Highway Products Division. We reserve the right to change or modify our product specifications, configurations, or dimensions at any time without notice.



**SPICER OFF-HIGHWAY PRODUCTS DIVISION**

1293 Glenway Drive  
Statesville, NC 28625

Tel: (704) 873-2811 Fax: (704) 878-5616